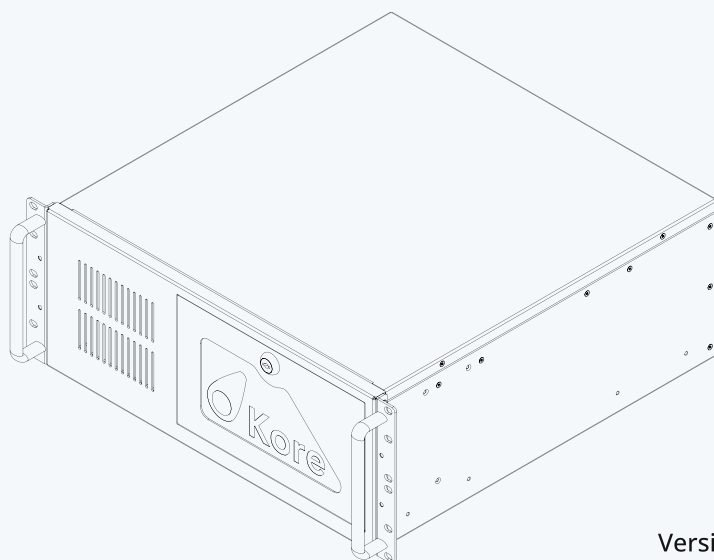


KORE

User manual



Version 1.1 - EN

naostage®

1 Rue de la Noë, 44300 Nantes, France
www.naostage.com

Introduction

– Thank you for your confidence

Thank you for the confidence you have placed in us by choosing this product.

Please read this manual completely and carefully before installing and using the product. Please keep this document with the product for future reference. If you sell the product, please give this document to the new owner of the product.

Naostage does not accept responsibility for damage to this product, property or persons caused by installation, use and maintenance that are not in accordance with the contents of this manual, or by modifications to this product.

Naostage reserves the right to modify and improve the information present in this manual at any time and without notice. You can download the latest version of this document at the following address : www.naostage.com

Naostage reserves the right to modify and improve the product over time, without having to integrate these modifications on previously sold products.



Table of contents

1. Product receipt	3
2. Safety instructions	3
3. Presentation	5
4. Technical specifications	6
5. Dimensions	7
6. Installation	8
6.1. Rackmount installation	8
6.2. Cooling	8
6.3. Product wiring	9
6.4. Transport	9
7. Maintenance	10
7.1. Cleaning the dust filter	10
7.1. External cleaning of the product	11
7.2. Cleaning of the internal components of the product	11
7.3. Repair	12
8. Product disposal	12
9. Warranty	13

1. Product receipt

Inside the box, you will find :

- 1 Kore
- 1 set of keys
- 1 power cord
- 1 manuel utilisateur

Upon receipt of the product and before use, please check that all equipment is present and free of defects. If you find any defect or sign of damage, please contact **Naostage** immediately before use.

2. Safety instructions

Naostage declines all responsibility for damage to this product, to property or to persons, due to installation, use and maintenance not in accordance with the contents of this manual.

Failure to follow the safety, installation or assembly instructions, as well as any modification of the product, will invalidate the warranty.



WARNING : Please read all operating and maintenance instructions in this document before using this product.



WARNING : Risk of electric shock. Unplug the power cord before servicing.

WARNING : This product is a Class I equipment. Its safety depends on its connection to a compliant installation equipped with a differential and properly grounded.

WARNING : Do not expose the product to rain or humidity.

WARNING : Using this equipment in a residential environment may cause electromagnetic interference.

Please check that the power source you wish to connect this product to is compatible.

Before plugging in the product, check that the power cord is not damaged.

Always handle the power cord by the plugs. Never pull on the cord cable.

Do not plug this product into a graduated outlet.

Make sure that the product is installed in such a way that there is an adequate supply of fresh air.

Make sure that no objects are blocking the ventilation openings when using this product.

Do not install the product where it may be exposed to extreme heat, moisture or dust.

Make sure the product is unplugged from the mains before any intervention on it.

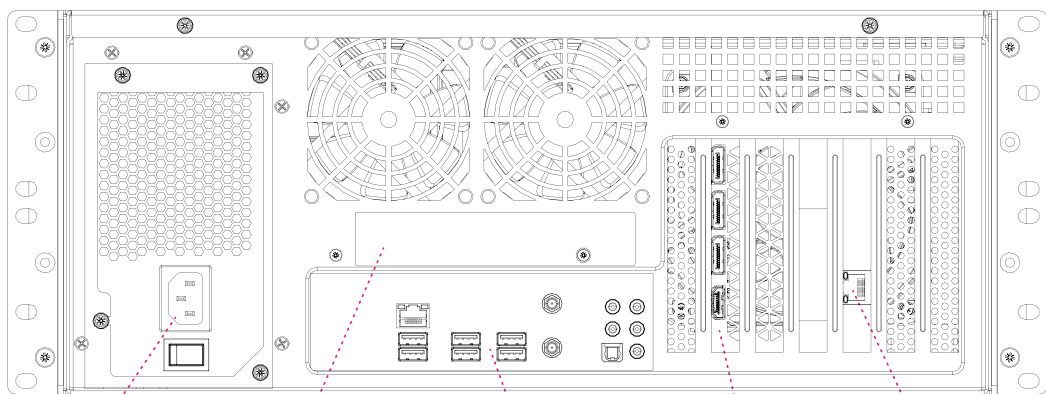
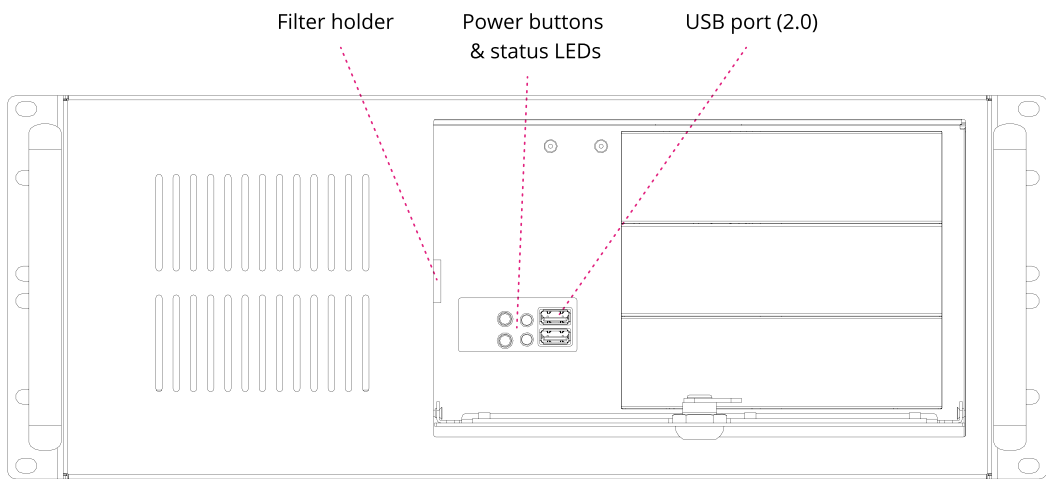
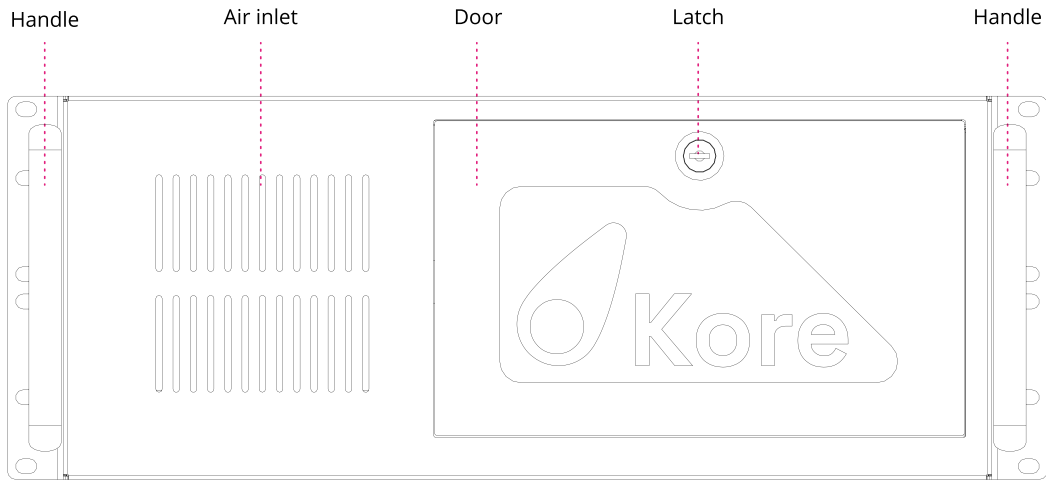
The product has an IP20 protection rating and can only be used indoors. It must not be installed in a place where it could be reached by water projections.

The ambient temperature at the place of installation of the product must never be outside the temperature range 0°C - 40°C.

This product is for professional use only.

This product must not be accessible to children.

3. Presentation



Power supply connector Product label I/O (USB, LAN, antennas...) Vidéo outputs Ethernet 10 Gbs

4. Technical specifications

– Mechanical characteristics

Weight	17 kg
Dimensions (wxdxh)	483x490x178 mm
19" rack height	4 RU
Rack depth	450 mm

– Electrical characteristics

Max. consumption	1200 W
Power supply voltage range	110 – 240 V
Power frequency	50 – 60 Hz
Neutral point treatment	TT
Appliance class	Class I
Overvoltage category	CAT II

– Environment

Operating temperature range	0 - 40 °C
Maximum relative humidity	80 %
Protection class	IP20
Pollution Degree	2
Maximum operating altitude	2000 m
Operating environment	Indoor

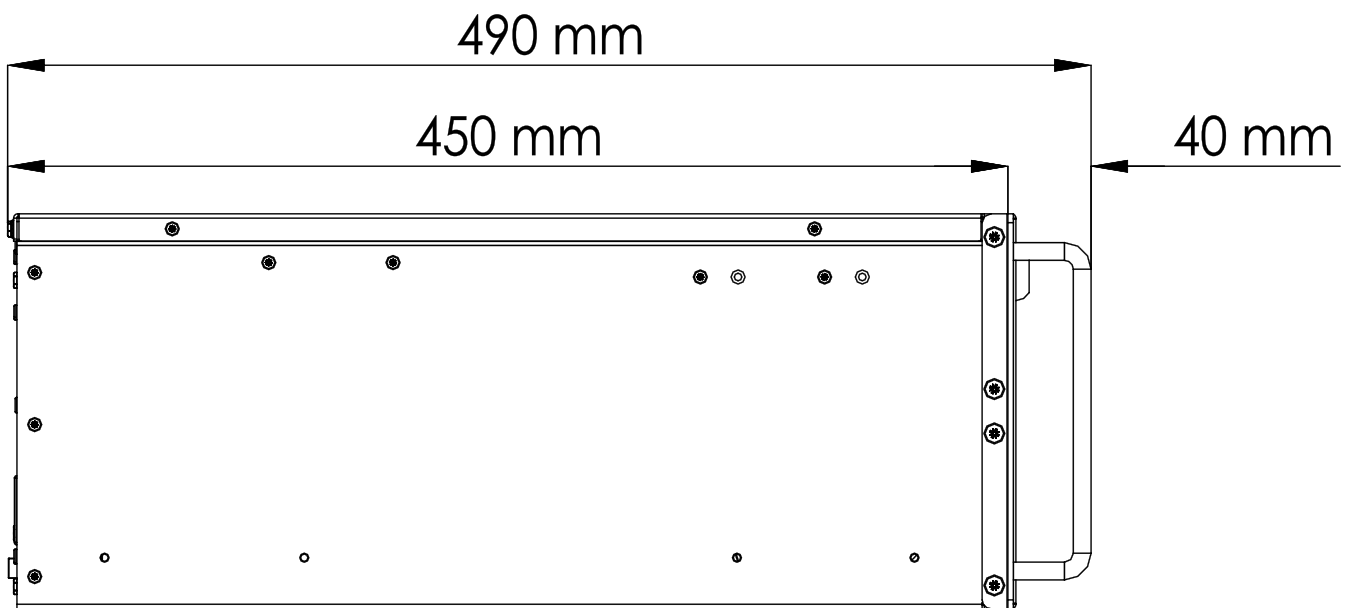
– Connectivity

Product power supply connector	IEC C14
Power supply cable connector	CEE 7/7

– Noise measurements

Idle	35 dB(A)
Full load	42 dB(A)

5. Dimensions



6. Installation

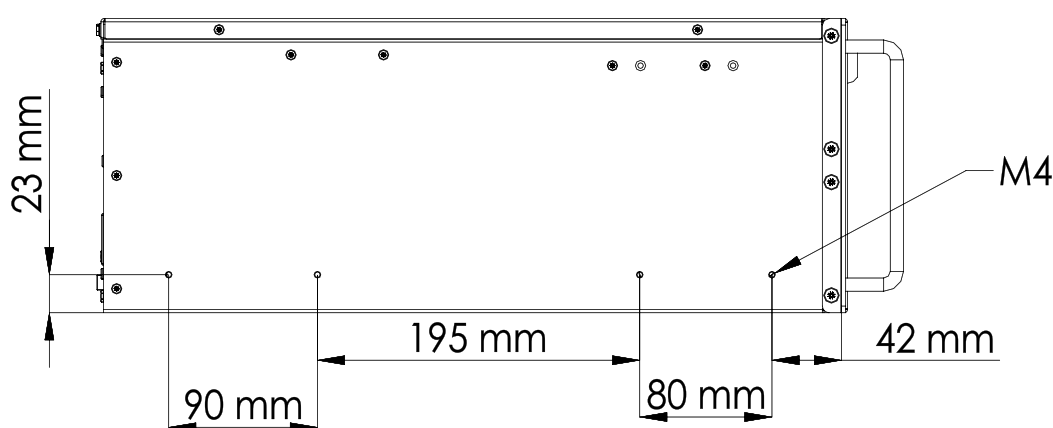
– 6.1 Rackmount installation

This product is designed to be compatible with standard 19" racks and cabinets. Its height is 4U.

Always use the full set of screws (12) to secure the product to a 19" rack.

When specifying the depth of a rack, be sure to allow at least 10cm extra depth for cables and connectors connected to the back of the product.

The product can be equipped with side rails. The positions of the mounting holes provided for this purpose are as follows:



– 6.2. Cooling

The product is equipped with fans that draw in cool air from the front and expel hot air from the back. Correct cooling is essential to ensure proper operation of the product. When installing and using the product, please observe the following measures :

- Assurez-vous qMake sure that the product has an adequate supply of fresh air when in use.
- Make sure that no objects obstruct the ventilation openings of the product.
- Do not install the product in contact with other heat producing devices.
- Do not install the product next to appliances with an opposing air flow.
- Make sure that the top of the product is always clear.
- Do not install any device on top of the product in direct contact with it. When installing in a rack, please leave at least 1U free above the product.

– 6.3. Product wiring

WARNING : This product is a Class I equipment. It is imperative to connect it to the ground.

Do not use a power cable longer than 2m to supply the product.

– 6.4. Transport

The product contains sensitive components that can be damaged by shocks. It is essential that it be protected from environmental factors such as shock and vibration during transport.

The user is responsible for installing the product and following the instructions in this manual during transport. Failure to follow these instructions may result in personal injury or property damage.

7. Maintenance

WARNING : Please unplug the power cord before servicing. Do not perform any maintenance on the product when it is switched on.

Apart from the components mentioned in this chapter, the product does not contain any user serviceable components. Please refer all repairs and maintenance other than those listed in this chapter to **Naostage** authorized personnel.

It is important to maintain the product regularly to ensure proper operation. Please follow the instructions below to properly maintain your product.

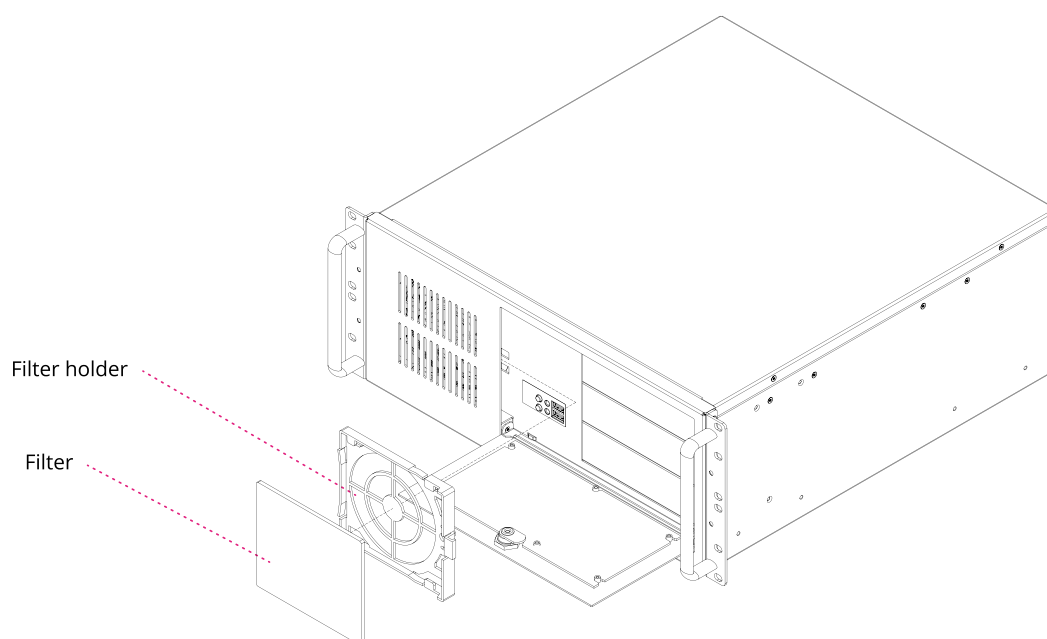
– 7.1. Cleaning the dust filter

The product has two dust filters located at the air inlets. It is important to check the condition of these filters regularly and to clean them before they become clogged.

To access and clean the filter :

- Open the front door of the server
- Remove the filter holder located behind the front panel by sliding it to the side
- Take the filter out of the filter holder and clean it by blowing on it with compressed air

WARNING : Do not use compressed air on the filter when it is installed on the product.



– 7.1. External cleaning of the product

Clean the exterior surfaces of the product with a dry cloth only.

Do not use wet wipes or solvents.

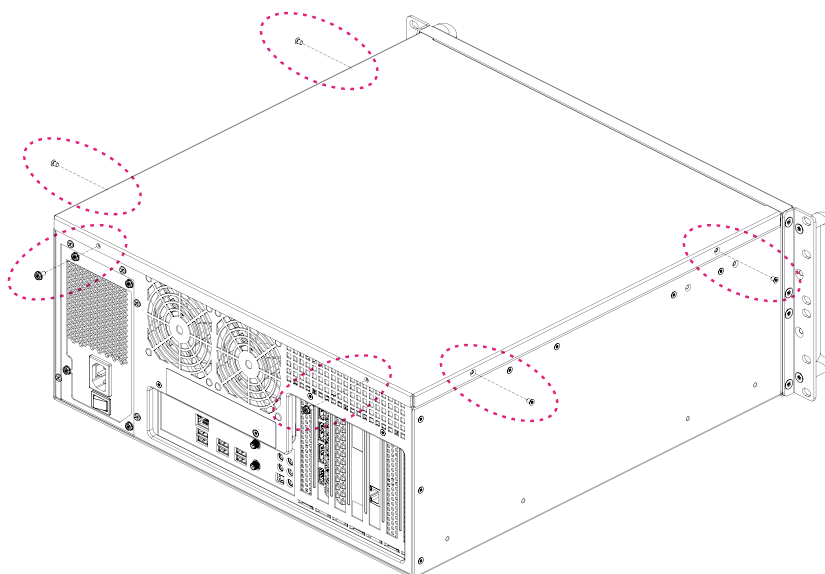
– 7.2. Cleaning of the internal components of the product

The interior of the product should be cleaned annually with compressed air.

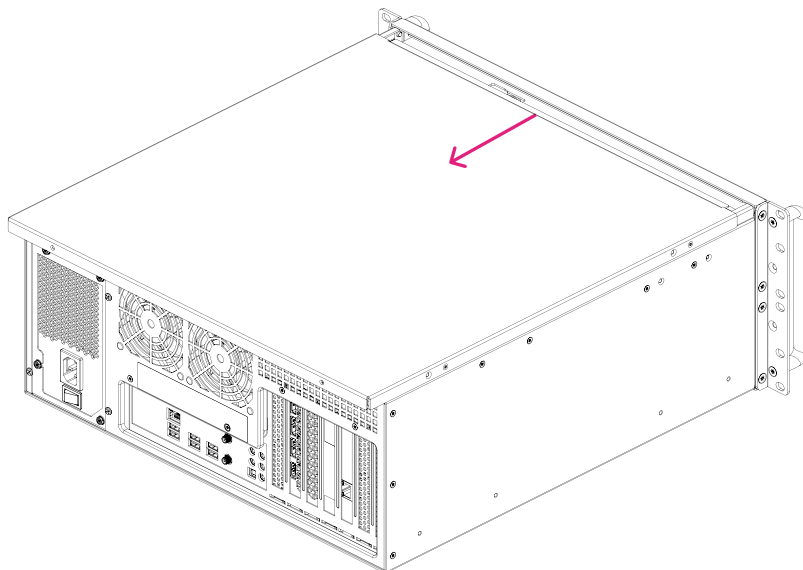
WARNING : This product must be opened by a qualified person.

To open the product, please follow the instructions below :

- Disconnect all cables from the product.
- Unscrew the 6 screws holding the cover in place (2 on each side, 2 on the back).



- Slide the cover back a few centimeters.



- You can then release the cover and clean the components with compressed air.
- To close the product, repeat the above steps in reverse order.

– 7.3. Repair

The product contains no user serviceable parts. Repair, replacement of any part, or any maintenance more complex than cleaning must be performed by **Naostage** authorized service personnel.

If you find any damage to the product or that the product is not functioning nominally, do not use it under any circumstances and contact **Naostage** directly.

8. Product disposal

Electrical and electronic waste must be disposed of separately from normal waste. When the product has reached the end of its life, please dispose of it in accordance with local regulations. If you have any further questions, please contact **Naostage**.

9. Warranty

The Kore is guaranteed against manufacturing defects for a period of two years from the date of purchase.

This warranty does not cover damage to the product caused by misuse or use outside the conditions of this user manual.

Defects caused by normal wear and tear of the product are not covered by the warranty.

Any modification of the device will void the warranty.

Naostage can in no way be held responsible for the quality and conformity of the installation of this product, which is the responsibility of the installer.



1 Rue de la Noë, 44300 Nantes, France
www.naostage.com